



## QUICK INSTALLATION GUIDE

### SAFETY

#### WARNING

- Confirm compatibility before starting installation
- Disconnect the power source from the garage door opener before removing the existing photo-eye sensor or installing Infinity Shield®
- Please use caution when handling the snap-in brackets to avoid cuts from sharp edges and pinching fingers between the door track and the brackets during installation
- Do not operate the garage door until the Infinity Shield® installation is complete
- After completing installation, confirm that the door stops when an object is placed in its path. If the door does not stop, immediately disconnect the power from the garage door opener and call customer support.
- Please handle the transmit IR LEDs with care and avoid forceful impact and contact with sharp or abrasive objects

### REFERENCES

This quick installation guide contains the essential information to install the Infinity Shield® garage safety sensor. For additional information, including the user manual and the installation video, please refer to the link below. Maintenance and troubleshooting information can be found in the user manual.

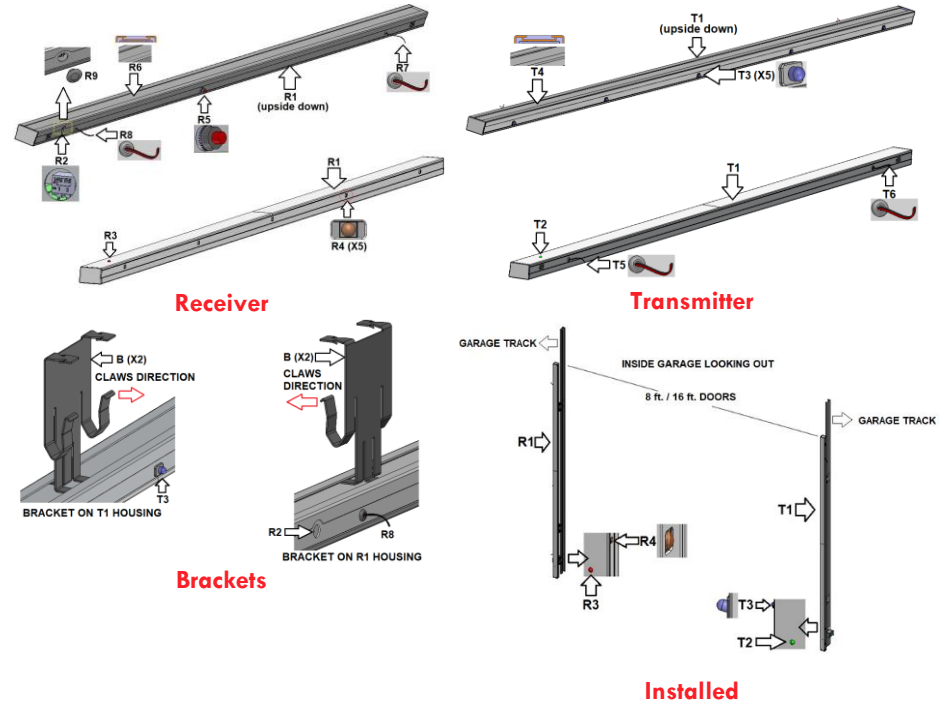
Installation Video



[infinity-shield.com/installation](https://infinity-shield.com/installation)

### DESCRIPTION AND COMPATIBILITY

A physical description of the Infinity Shield® system is shown in the figures below. One way to distinguish the receive housing (R1) from the transmit housing (T1) is to look for the DIP switch (R2) on the side. Alternatively, for identification after installation, the colors of the user LEDs (R3 and T2) are red and green, respectively.



Parts	Label
Receive Housing	R1
Receive DIP switches	R2
Receive user LED (red)	R3
Receive IR modules 1-5	R4
Receive beeper toggle switch	R5
Receive housing groove	R6
Receive upper wires	R7
Receive lower wires	R8
Receiver DIP switch cover	R9
Transmit Housing	T1
Transmit user LED (green)	T2
Transmit IR LEDs 1-5	T3
Transmit housing groove	T4
Transmit lower wires	T5
Transmit upper wires	T6
Snap-in bracket	B

Reference labels

A complete list of compatible garage door openers is provided in the next table.

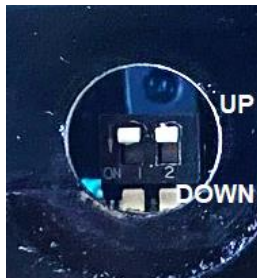
Opener Manufacturer	Compatible Models	Switch	
		1	2
Genie, Overhead Door	All models utilizing safety sensor manufactured 1993–current	UP	UP
Liftmaster, Chamberlain	All models manufactured 1997–current	DOWN	DOWN
Sears, Craftsman	All models except 100 series manufactured 1997–current	DOWN	DOWN
Master Mechanic	All models manufactured 1997–current	DOWN	DOWN
Guardian	All models	UP	DOWN
Marantec	All models	UP	DOWN
Linear	All models	UP	DOWN
Door Compatibility			
Minimum garage door width		8 ft	
Maximum garage door width		18 ft	
Minimum garage door height		7 ft	

### Compatibility and switch settings

## INSTALLATION INSTRUCTIONS

1. Confirm compatibility with the garage door opener.
2. Unpack the parts from the box and lay on the garage floor covered by cardboard or on a table.
3. Disconnect the power from the garage door opener.
4. **Only for upgrades:** Disconnect or cut the two wires from each of the existing sensors and remove them from both sides of the garage door.
5. **For installation with multiple doors:** follow the instructions in the user manual.
6. Remove the DIP switch cover (R9).
7. On the DIP switch (R2) of the receive housing (R1), set the switches to your model of the garage door opener. Use the tweezers that are included in the box. Using any other tool may damage the switches. Re-install the DIP switch cover (R9).

**NOTE:** If the DIP switch (R2) positions are changed, power to the unit must be turned off for at least 10 s and then turned on again, for the new configuration to take effect.



8. For receive housing (R1):
  - a) Hold the housing next to the garage door track that it is intended to be installed on. Check to see if the snap-in brackets (B) interfere with any brackets on the tracks. Mark the desired bracket position on the receive housing (R1) with a piece of tape.
  - b) Orient the claws of the snap-in brackets (B) to point in the direction of the IR modules (R4).
  - c) Snap in the brackets (B) into the receive housing groove (R6) by first inserting the center tab in the receive housing groove (R6) and then flexing the two outer tabs one at a time and inserting the tabs in the groove.
  - d) Clamp on the brackets (B) to the garage door track.
  - e) Connect the two lower wires (R8) to the two wires from the garage door opener with the included wire nuts or strip-less connectors. The red wire is positive and the black wire is negative. If the polarity of the wires from the garage door opener is unknown, it is possible to try one way first and the other way next if the first way is incorrect. If the polarity is correct, the user LED (R3) will blink red once power is restored to the garage door opener. Nothing will happen or get damaged if the polarity is incorrect.
9. For TX housing:
  - a) Hold the housing next to the garage door track (opposite side of the receiver housing) that it is intended to be installed on. Check to see if the snap-in brackets (B) interfere with any brackets on the tracks. Mark the desired bracket position on the transmit housing (T1) with a piece of tape.
  - b) Orient the claws of the snap-in brackets (B) to point in the direction of the IR LEDs (T3).
  - c) Snap in the brackets (B) into the transmit housing groove (T4) by first inserting the center tab in the transmit housing groove (T4) and then flexing the two outer tabs one at a time and inserting the tabs in the groove.
  - d) Clamp on the brackets (B) to the garage door track.
  - e) Connect the two lower wires (T6) to the two wires from the garage door opener with the included wire nuts or strip-less connectors. The red wire is positive and the black wire is negative. If the polarity of the wires from the garage door opener is unknown, it is possible to try one way first and the other way next if the first way is incorrect. If the polarity is correct, the user LED (T2) will blink green once power is restored to the garage door opener. Nothing will happen or get damaged if the polarity is incorrect.
10. Connect power back into the garage door opener. If the system is installed correctly and none of the beams are blocked, the red receive user LED (R3) and green transmit user LED (T2) will blink rapidly.
11. The beeper can be turned on and off by pressing the receive beeper toggle switch (R5).
12. After completing installation
  - a) Confirm that the door does stop when an object is placed in its path. If the door does not stop, immediately disconnect the power from the garage door opener and call customer support.
  - b) Turn on the beeper, park the car with the rear hatch open with the highest point intersecting the garage-door opening, and confirm that the beeper detects the hatch.